



SP Steel Manufacturing and Engineering

PRODUCT GALLERY



Custom Concrete Form Fabrications



Custom Steel Formwork used in solving complicated problems with intricate heavy civil, bridge & infrastructure applications

Custom Piers Project - St. Louis, Missouri



Bridges, Traveling Wall & Deck Forms, Custom Application Solutions



Concepts are formulated to fabricate steel in a way that will allow forming of complex structures using a single steel formwork system that incorporates feature of aesthetic and structural design



Bridges, Traveling Wall & Deck Forms, Custom Application Solutions

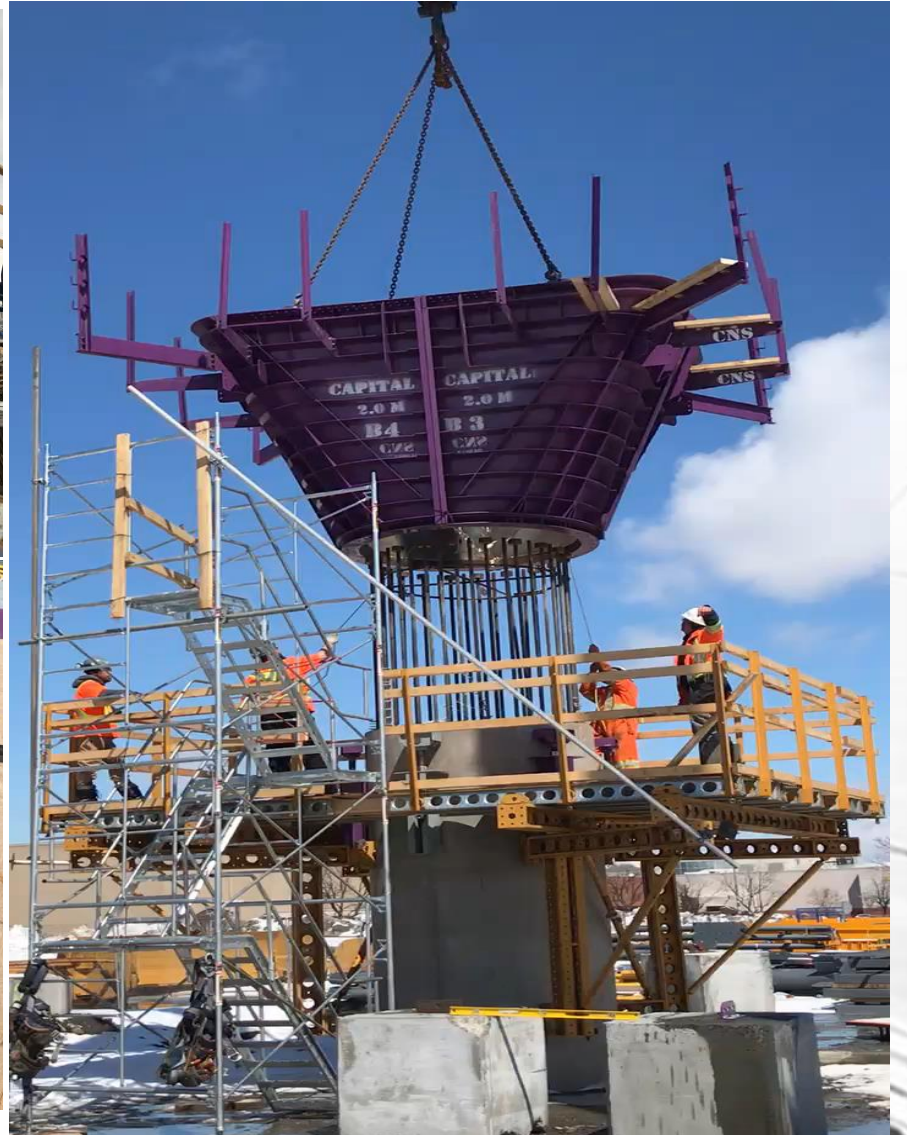


SP Customized engineering solutions give us a distinct advantage in the concrete construction industry, where customers are building the world's most structurally complex bridges, tunnels, high speed rails and water management structures





Bridges, Traveling Wall & Deck Forms, Custom Application Solutions

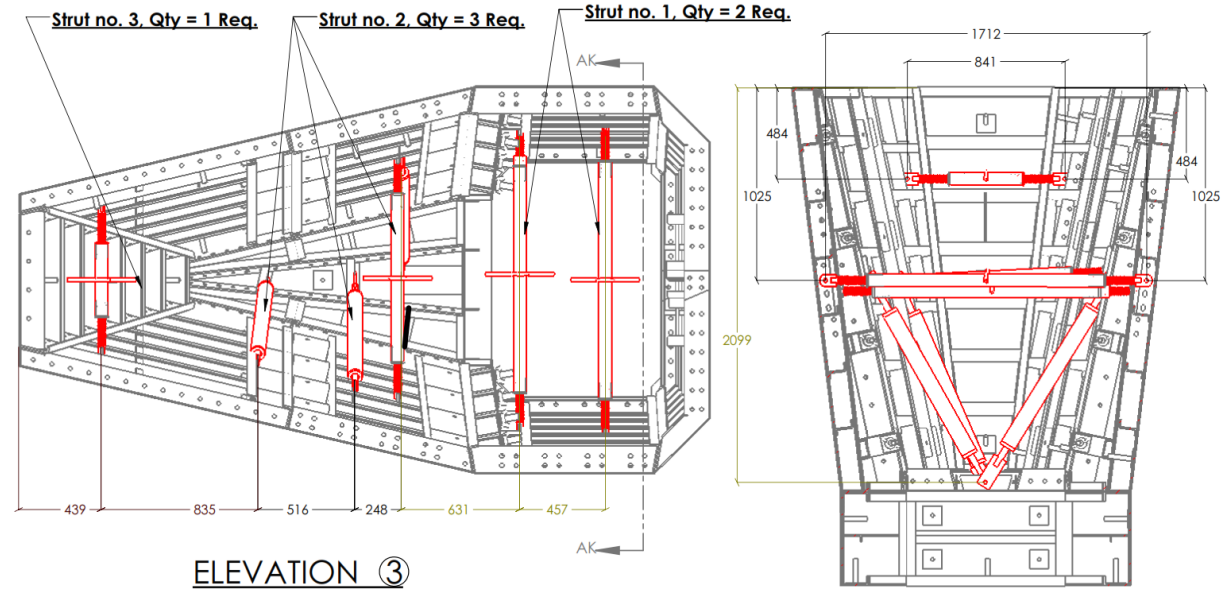
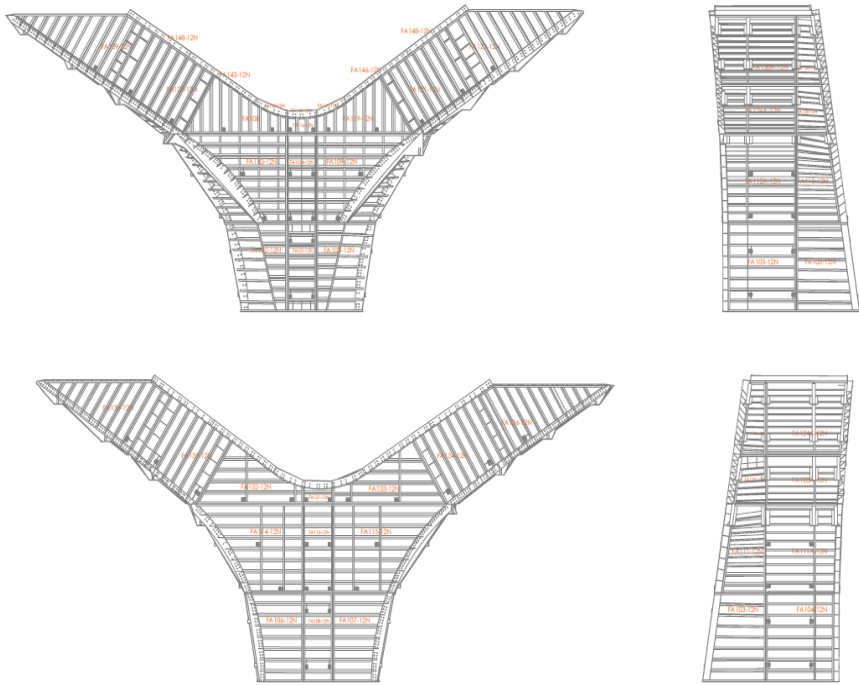


Custom flexible solutions

- 6th Street Bridge, LA, USA
- REM, Montreal, Canada



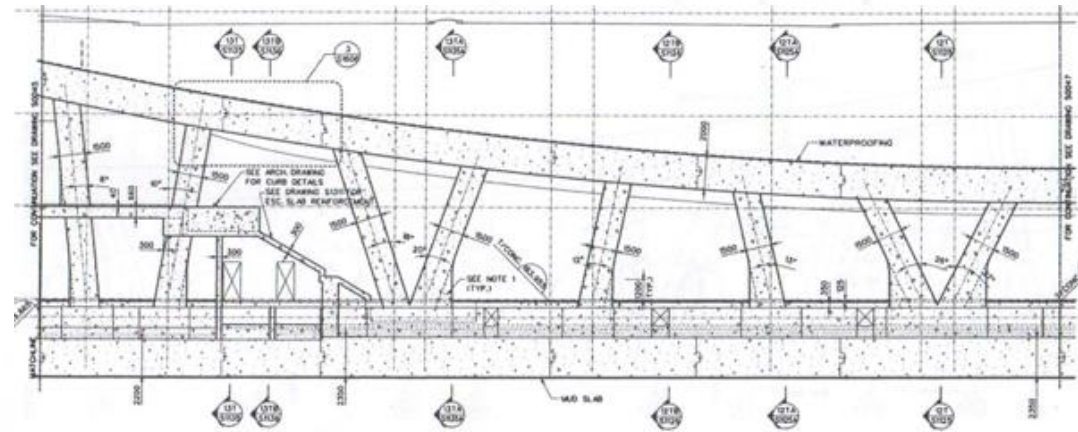
Design Engineering and Site Applications



Plumbing Strut Connection

SECTION AK-AK

Customized designs for complex structures using the latest 3D Design technology along with the latest manufacturing capabilities for a one stop shop for your customized needs



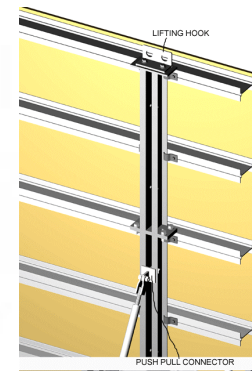
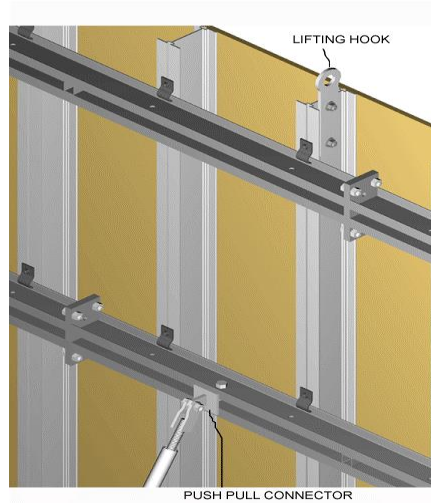
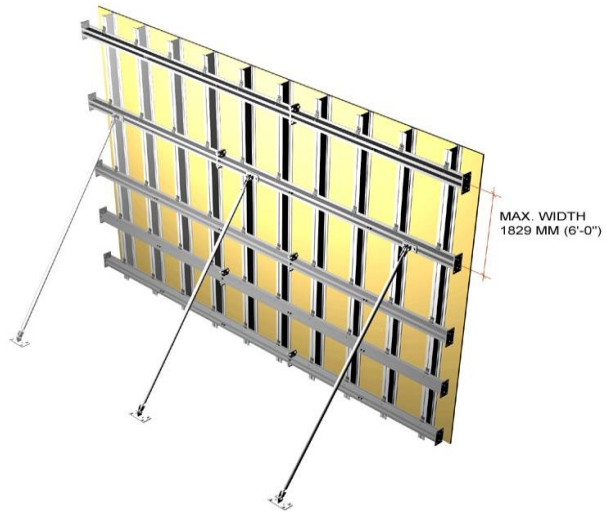
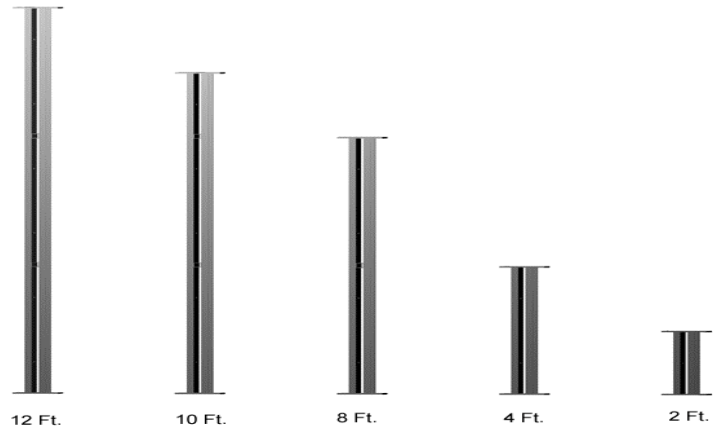


Standard Job Site Products

- 4 Cubic Yard Garbage Bins
- Heavy Duty Job Site Ready Tool Boxes
- Drum Hoist Basket for Safe Handling of Form Oil
- Concrete Washout Boxes
- Walkway Brackets
- Walers
- Column Walers
- Circulator Steel Face Column Forms
- Rectangular Steel Face Column Forms
- Square Steel Face Column Forms
- Elevator Shaft Box Outs
- Elevator Shaft Cover Plates
- Outrigger Loading Platforms
- Capital Forms
- Form Aligners Push Pulls
- Handrail Base Brackets
- Landing Dollies
- Material Handling Dolly's - Custom Sizes
- Mid Landing Support Brackets
- Rolling Dolly's for Fly Forms
- Stackable Storage Bins
- Tie Off Brackets

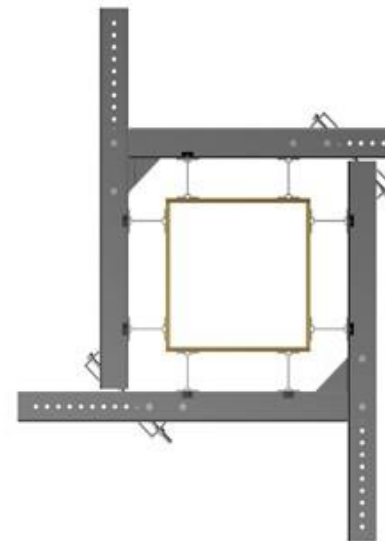
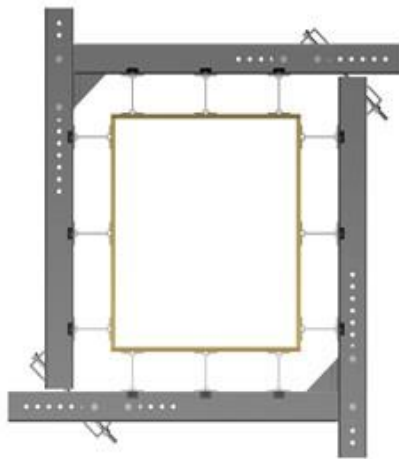
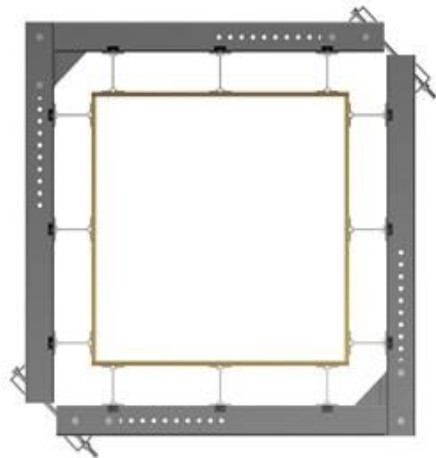
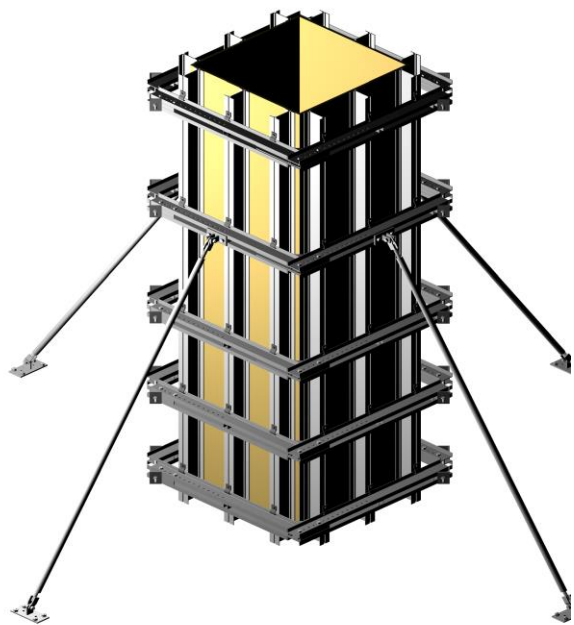


Universal Waler System



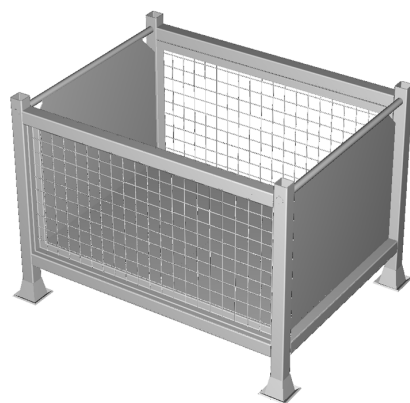
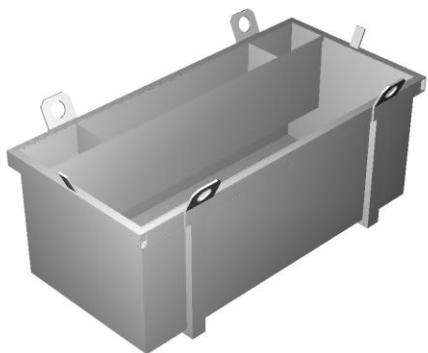


Adjustable Column Walers



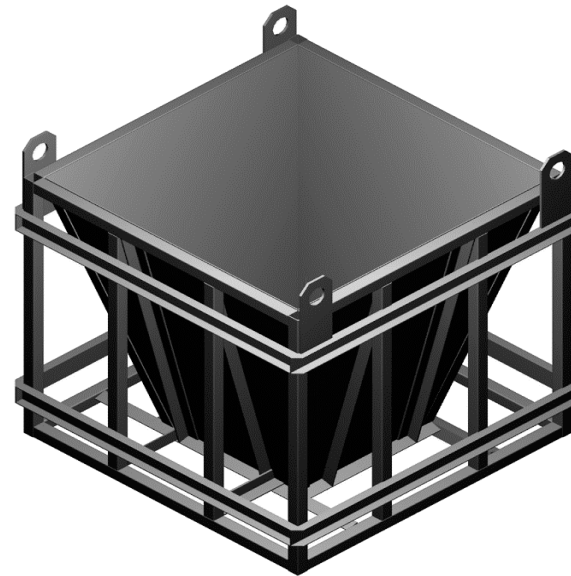
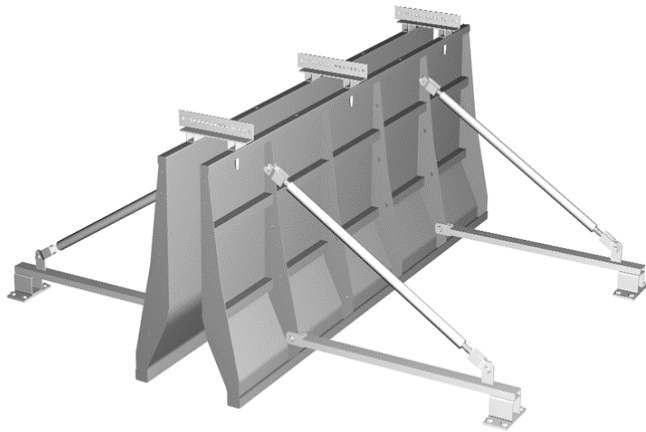
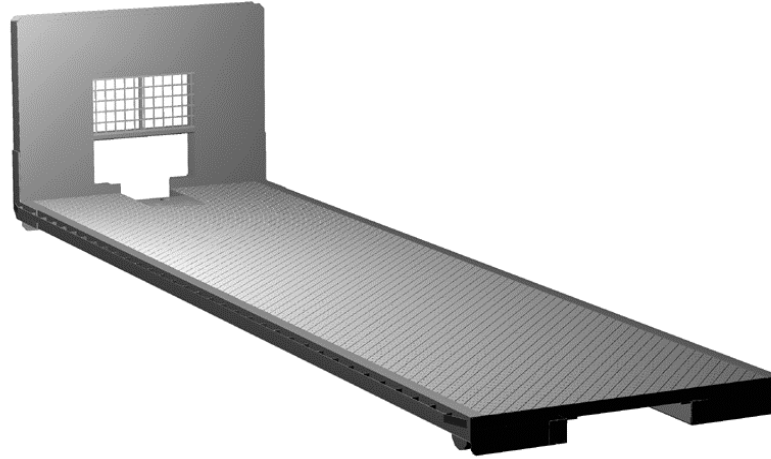
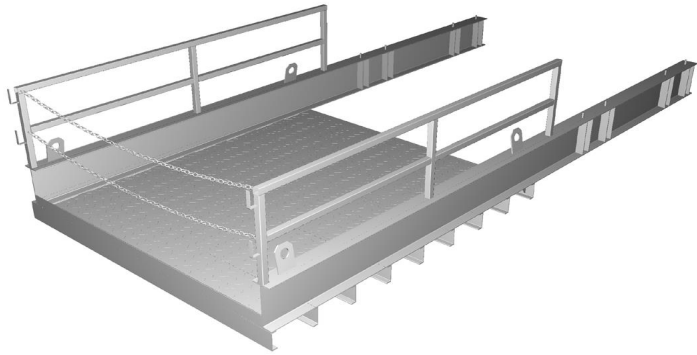


Standard Job Site Equipment and Bins



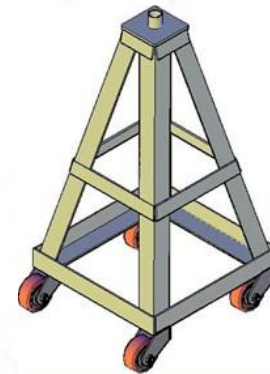
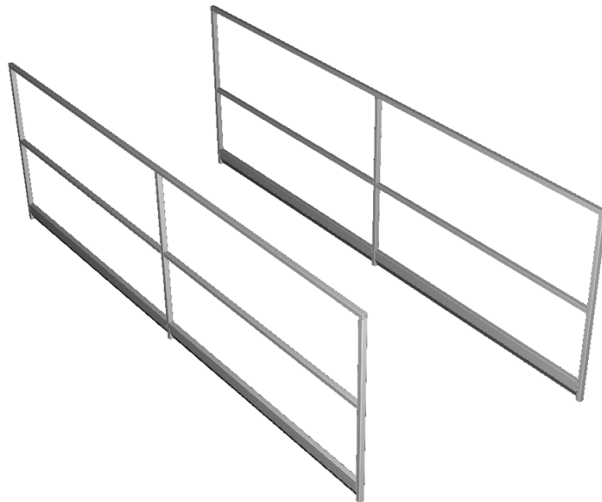
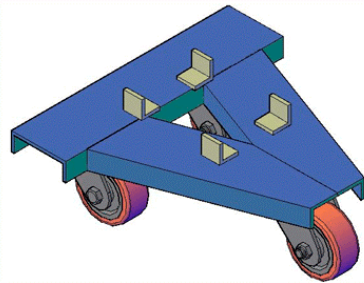
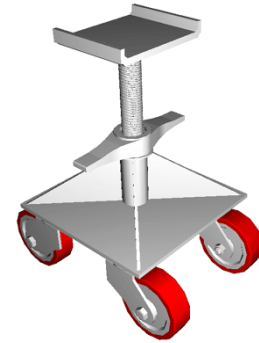
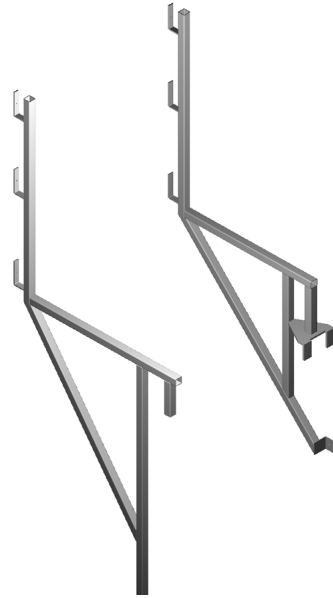
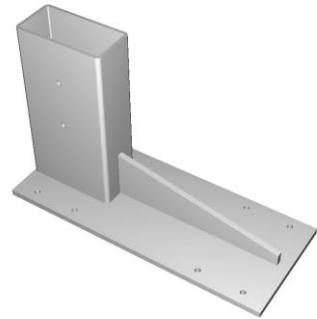


Standard Job Site Equipment and Bins





Standard Job Site Equipment and Bins





Concrete Placement Buckets

Gladiator Concrete Buckets

- 1.5 Cubic Yard
- 2.0 Cubic Yard
- 2.5 Cubic Yard
- 3.0 Cubic Yard





Tower Crane Equipment and Parts

- Crane Anchors
- Crane Re-Useable Anchor Shoes
- Crane Anchor Bolts
- Crane Climbing Wedges
- Custom Climbing Systems