



# **SP Steel Manufacturing and Engineering**

## **STONE HANDLING PRODUCT GALLERY**

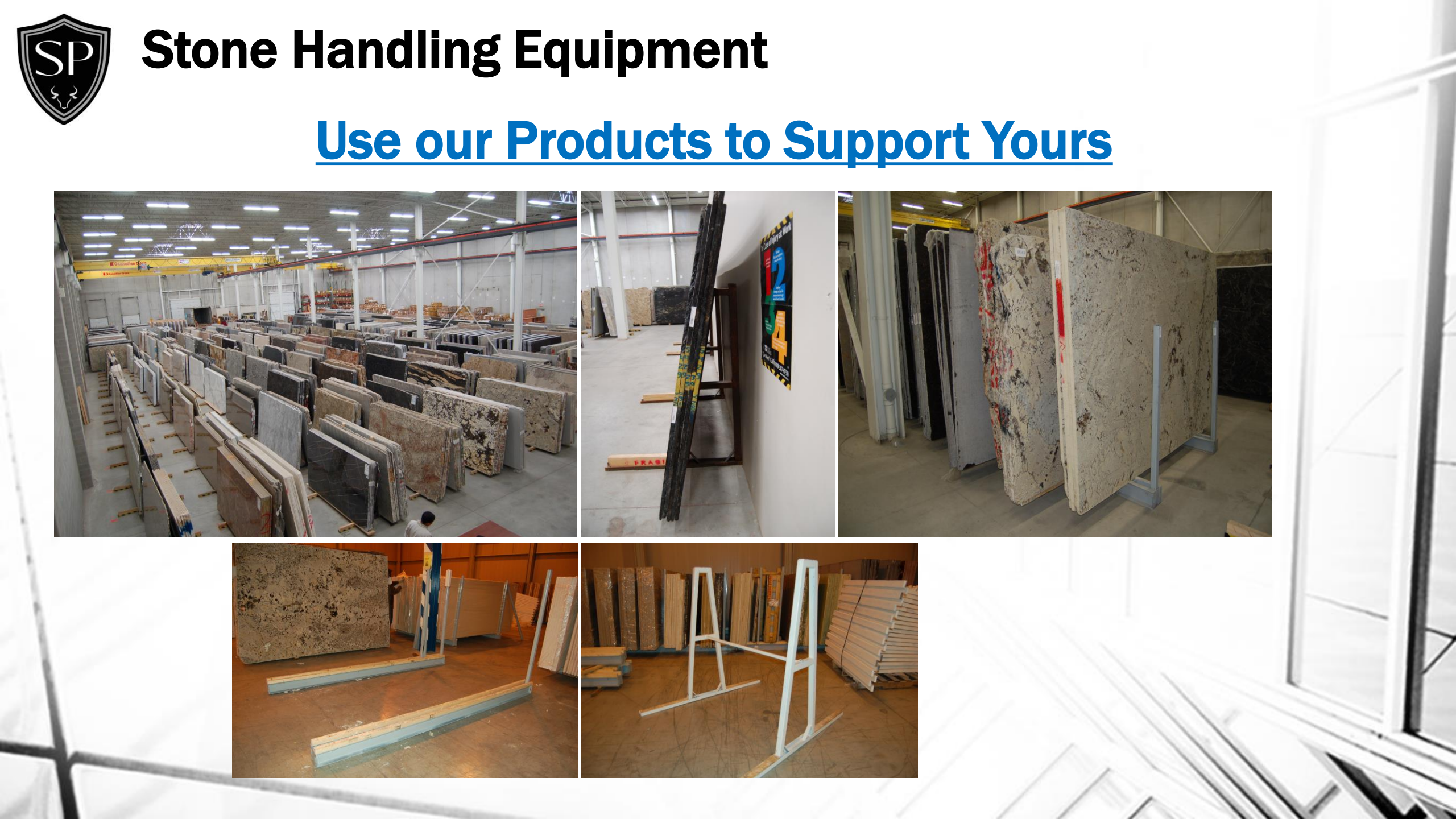
[www.spsteelmfg.com](http://www.spsteelmfg.com)

Tel: 905-857-0850



# Stone Handling Equipment

Use our Products to Support Yours



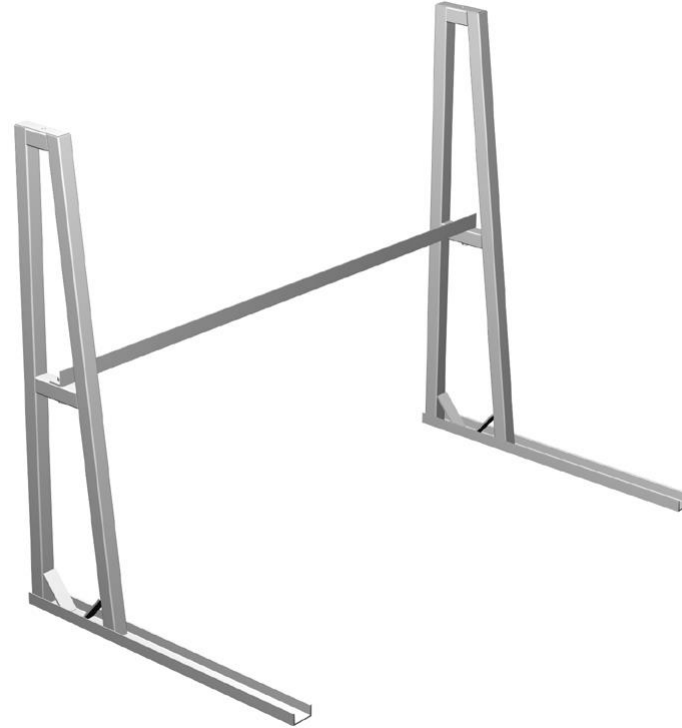




# Stone Handling Equipment



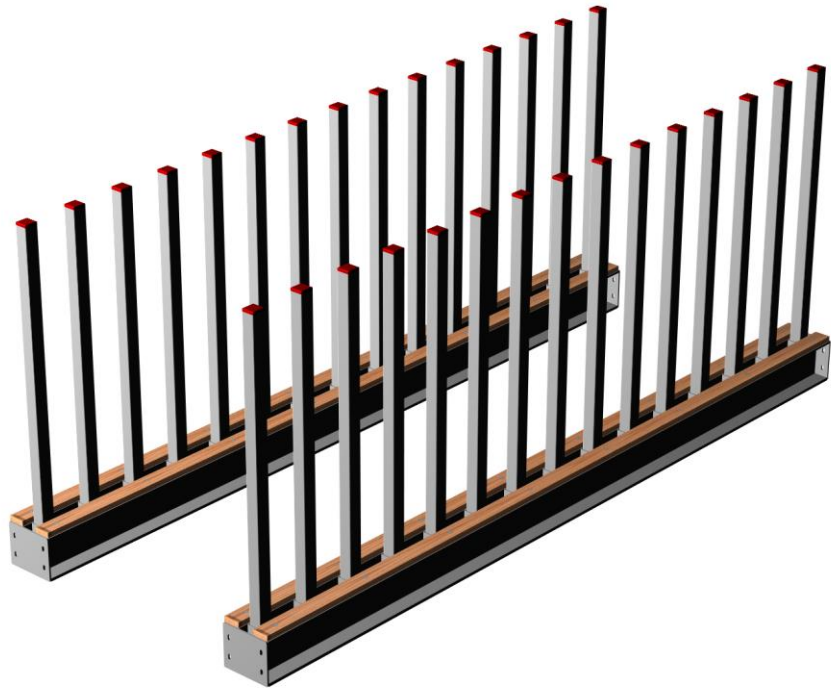
**Standard  
Warehouse A-Frame**



**Standard  
Warehouse Single  
Sided A-Frame**



# Stone Handling Equipment



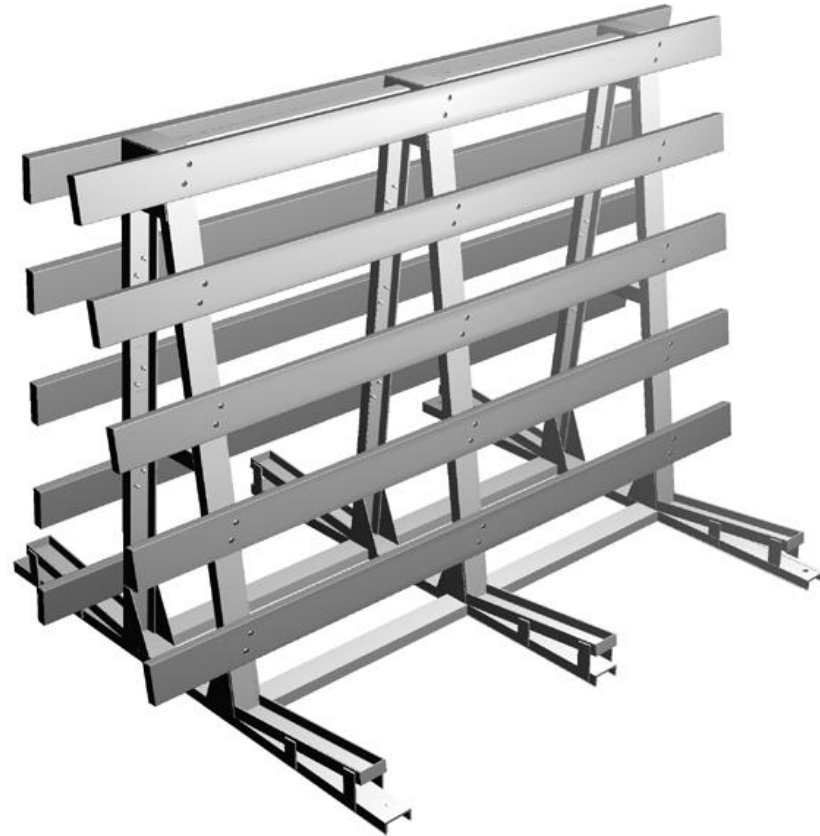
**Standard 10ft Rail**



**Standard 5ft Rail**



# Stone Handling Equipment

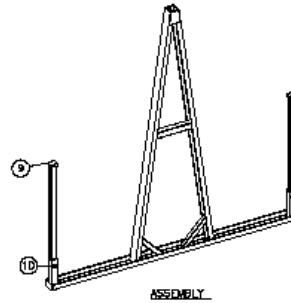
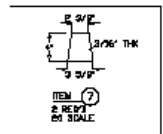
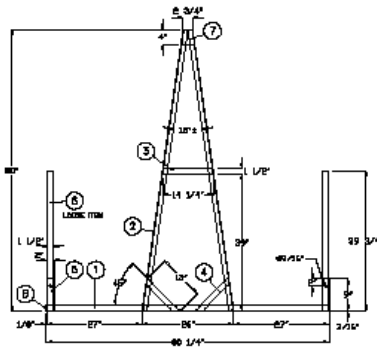


**Standard  
Transport A Frame**



# Stone Handling Equipment

## Customized Products For Your Business

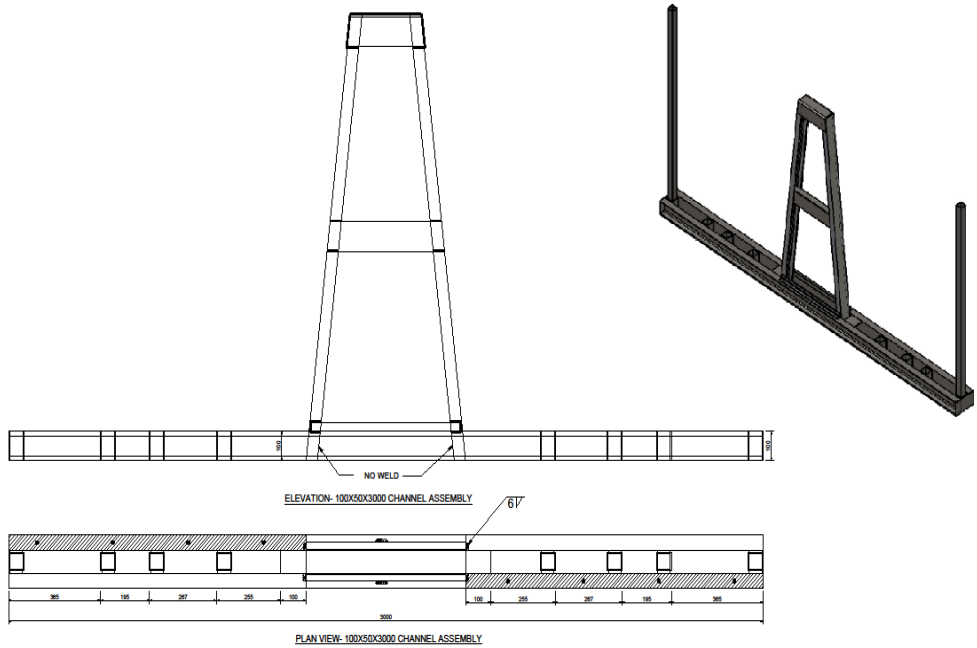


ITEM	REQ'D	DESCRIPTION	WEIGHT/LIN
1	1	Ø4 x 3.4 SQUARE, L=86"	38
2	2	Ø3 x 4.1 SQUARE, L=80 1/2"	35
3	1	1 1/2" x 1 1/2" x 1/8" HSS TUBE, L=14 1/4" @ 45°	8.8
4	2	1 1/2" x 1 1/2" x 1/8" HSS TUBE, L=13" @ 45°	4.2
5	2	2" x 2" x 1/8" HSS TUBE, L=8"	7
6	2	1 1/2" x 1 1/2" x 1/8" HSS TUBE, L=38 3/4"	82
7	2	4" x 3/16" PLAT SHS, L=8 3/8"	1.5
8	2	4" x 1/8" PLAT SHS, L=10 1/4"	0.7
9	2	Ø2" Ø6 PLATING FERRULE, ALLMATIC P38L-4000	1
10	2	1/2"-13 x 2 1/2" HEX BOLT/ NUT/ WASHER	2
TOTAL			132.6



# Stone Handling Equipment

## Custom Engineered Solutions Tailored For Your Warehouse



SECTION A-A

ISOMETRIC VIEW

ITEM	REQ'D	DESCRIPTION	WEIGHT/KG
1	2	100MM CHANNEL (DIM 100X), L=3000	112.8
2	24	BOMBARD SQUARE TUBE (BT27-52), L=101	25.3
3	2	25X100 FLAT BAR, L=1010	2.8
4	1	25X50 FLAT BAR, L=3000	7.1
TOTAL			148.1

NOTES:

- \* GRIND SMOOTH ALL WELDS AND SHARP EDGES
- \* POWDER COATED (WHITE) AFTER WELDING
- \* WELDING SHALL BE DONE BY CERTIFIED WELDER
- \* STRUCTURAL STEEL SHALL CONFORM CSA STANDARDS

DATE: 21/05/2013

DATE: APR 17, 2012

2012-04

TOLERANCE EXCEPT AS NOTED

METRIC ± 1.5MM

FRACTION ± 1/16

DECIMAL ± 0.0625

ANGULAR ± 0.5°

MATERIAL: Not for construction use unless approved

CUSTOMER		REVISIONS				DATE: 21/05/2013	DRAWING NO.
PROJECT:	COSENTINO	NO	CHANGES	DRN BY	APR. BY	DRN BY: PA	DRAWING DESCRIPTION
PART NOTE:	XXXXXXXXXX					CKD BY:	
						ENG BY:	
						SCALE: --	REV: -- SHEET: 1 OF 3